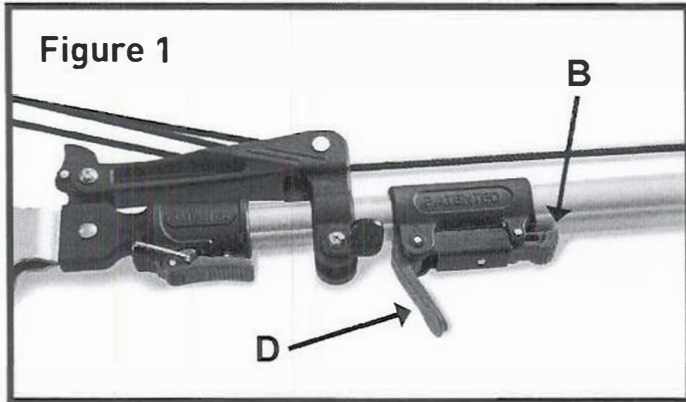
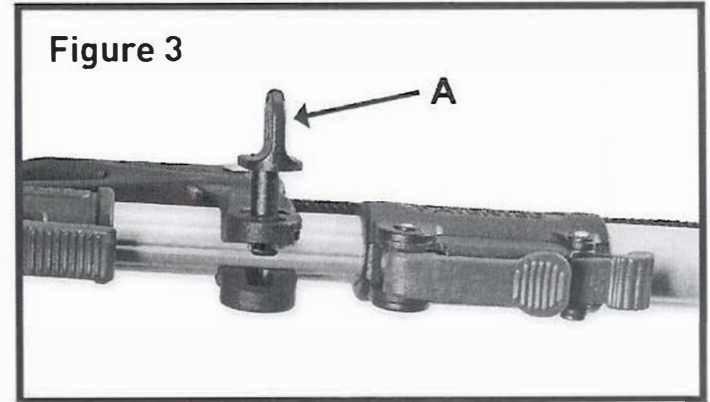


Thank you for your purchase of the X.H.D. Jumbo Pole Saw & Pruner. The instructions below detail the basic uses of the product. Should you have additional questions, please don't hesitate to contact us.

To Extend The Pole Lift lever (D) and push up on button (B), then extend to the next pin location at the desired height and close lever (D) as shown below in Figure 1.



To Remove The Cutter Head Rotate knob (A) 1/4 turn and back out, slide the clamp off the pole. Then lift lever (C) and remove cutter head as shown below in Figures 3, 4, and 5.



To Install The Saw Blade Insert the saw blade into the end of the pole that has the hook with lever (C). Push the lever (C) down as shown below in Figure 2.

